



The CMYK process color printer

The GT-Jet VR 200 C is based on the S-Class DOD-technology from Spectra. It offers a very compact concept for full color printing. It is based on the most successful DOD inkjet in the market, the GT-Jet series. The capacity in terms of number of jets has been doubled per base unit. A new, improved head design has been adapted. An unique system to change the head has been implemented into this design. It's ready to print in 5 minutes and can

be operated with with UV-curable and solvent-based inks. The GT-Jet VR 200 C can be used to print on a variety of different materials i.e. paper, coated paper, foils, plastic cards etc. The user interface is easy to handle, offers a good overview and with its Windows technology it is truly intuitive. The layout is fully WYSIWYG and offers an easy setup for a wide variety of applications.



High Quality

- Up to 200x600 DPI resolution. 200 DPI against running direction, 100-600 DPI in running direction
- Full color applications onto media where good quality is required
- Modular concept with electronic stitching to increase the print width in steps of 2.56 inches, i.e. 2 head 5.12 Inches, 3 heads 7.68 Inches etc.
- Supports different inks to suit your application
- Color RIP for optimized printing quality available

Easy to handle

- Start up in less than 5 minutes
- Change a head in a matter of 10 minutes with a new system where only the jetting part of the head can be changed
- Intuitive WYSIWYG layout
- Easy set up through the full graphic user interface of the whole inkjet system
- Variable and fixed text as well as all common barcodes can be setup in an easy way
- Fixed and variable bitmaps in nearly any format can be processed
- Alternative full digital information in PDF formats can be processed
- Print full digital information in conjunction with an online RIP

Applications

- Process color printing onto cardboards where short runs are required
- Full digital color printing for logos and other variable color data in mailing
- Any application where variable full color data needs to be applied onto nearly any media in a good quality

Technical Details

Characteristics

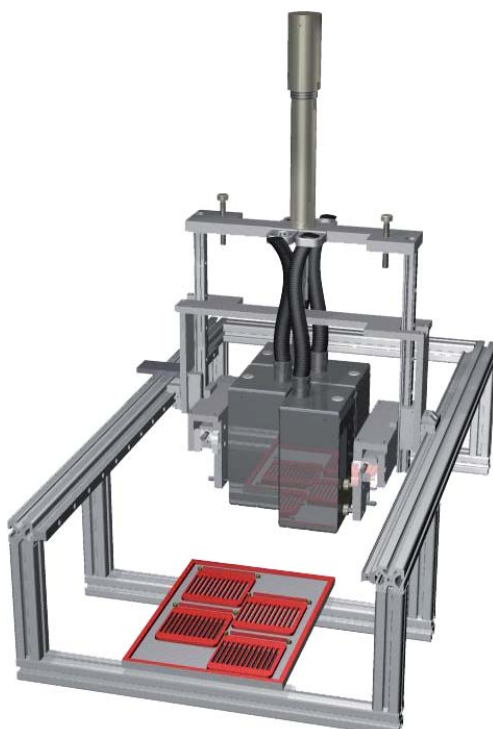
- Compact, modular base unit with 1 print head, 2.56" printing width at a resolution of 200x200-600 DPI, multiple units can be stitched together to increase the printing width in steps of 2.56"
- The print heads have a new, unique system and only the jetting module can be changed in less than 10 minutes
- Spectra technology, based on S-Class print modules

Technical data

- Dimensions ink supply (HxWxD) 180x150x260 mm
- Dimensions bottle holder (HxWxD) 230x125x120 mm
- Dimensions base unit (HxWxD) 180x345x490 mm
- Length print head umbilical 5 m
- Dimensions print head (HxWxD) 245x125x135 mm
- Vertical resolution 200 DPI
- Horizontal resolution 200-600 DPI
- Ink supply 4x1 Litre ink bottles
- Ink types UV-Curable and Solvent based
- Print head type 16 x Spectra S-Class module
- Ink drop size 80pL
- Maximum print frequency 20 kHz
- Print width per head 65 mm (2.56")
- Print length Possible without a gap
- Stitching in horizontal direction Up to 6 heads, 390 mm (15.3")
- Stitching in vertical direction 2 heads for 400 DPI resolution

- Linear speed at horizontal resolution

DPI	m/S	m/min	fpm
100	5.1	305	1000
200	2.5	152	500
400	1.3	76	250
600	0.8	51	167



Distribution:



Graph-Tech AG
Aeschwahrstr. 15
4665 Oftringen
Switzerland

Phone +41 62 746 0650
Fax +41 62 746 0655
Website www.graph-tech.ch