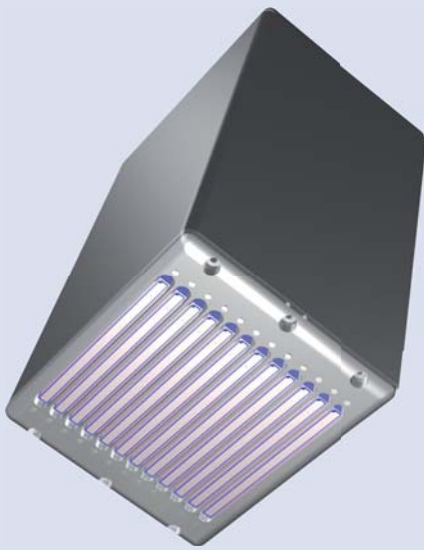




The modular wide format printer

The GT-Jet VR 600 is based on the S-Class DOD-technology from Spectra. It is based on the most successful DOD inkjet in the market, the GT-Jet series. The capacity in terms of number of jets has been doubled per base unit. A new, improved head design has been adapted. An unique system to change the head has been implemented into this design. It's ready to print in 5 minutes and can be operated with UV-

curable and solvent-based inks. The GT-Jet VR 600 can be used to print on a variety of different materials i.e. paper, coated paper, foils, plastic cards etc. The user interface is easy to handle, offers a good overview and with its Windows technology it is truly intuitive. The layout is fully WYSIWYG, including electronic stitching capability on multiple head applications for large graphics and complex imaging.



High Quality

- With 600x600 DPI native resolution in X and Y direction the GT-Jet VR 600 has the highest resolution available on the market
- Crisp clear printing of the smallest barcodes and fonts
- Modular concept with electronic stitching to increase the print width in steps of 2.56 inches, i.e. 2 head 5.12 Inches, 3 heads 7.68 Inches etc.
- Supports different inks to suit your application

Easy to handle

- Start up in less than 5 minutes
- Change a head in a matter of 10 minutes with a new system where only the jetting part of the head can be changed
- Intuitive WYSIWYG layout
- Easy set up through the full graphic user interface of the whole inkjet system
- Variable and fixed text as well as all common barcodes can be setup in an easy way
- Fixed and variable bitmaps in nearly any format can be processed
- Alternative full digital information in PDF formats can be processed

Low costs

- Low investment costs due to very high integration of state of the art technology
- Spare heads are a cost effective way of ensuring ongoing print quality.
- Refurbish program for spare heads is available

Applications

- Wide format high resolution full digital printing for web applications
- Digital printing onto labels where very small and crisp barcodes and text are needed
- High resolution, high quality card personalization
- Any application where variable data needs to be applied onto nearly any media in a very high quality

Technical Details

Characteristics

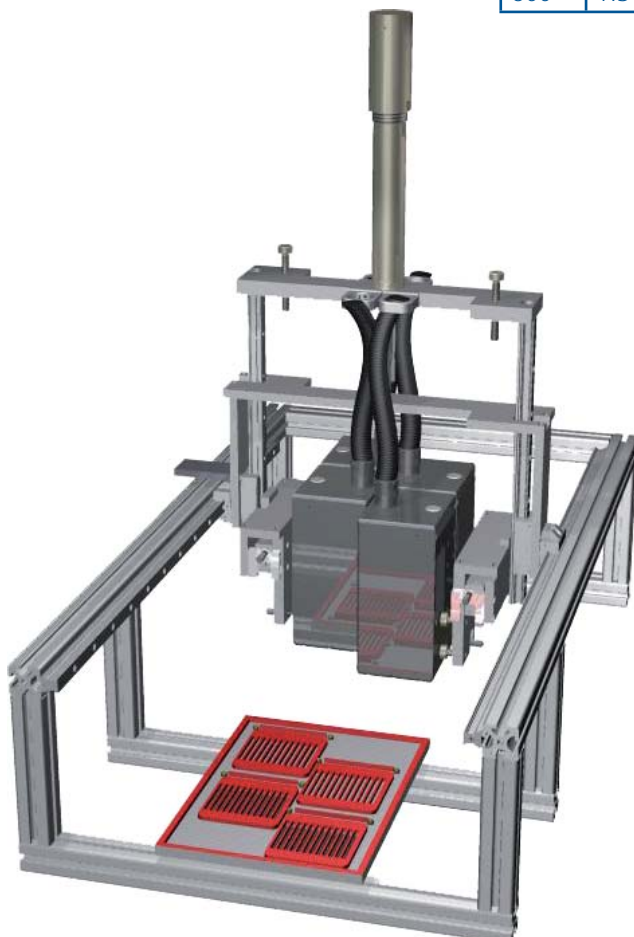
- Compact, modular base unit with 1 print head, 2.56 Inch printing width at a resolution of 600x200-600 DPI, multiple units can be stitched together to increase the printing width in steps of 2.56 inches
- The print heads have a new, unique system and only the jetting module can be changed in less than 10 minutes
- Optimized interlacing pattern for stitching
- Spectra technology, based on S-Class print modules

Technical data

- Dimensions Ink supply (HxWxD) 90x170x260 mm
- Dimensions bottle holder (HxWxD) 230x125x120 mm
- Dimensions base unit (HxWxD) 180x345x490 mm
- Length print head umbilical 5 m
- Dimensions print head (HxWxD) 240x125x105 mm
- Vertical resolution 600 DPI
- Horizontal resolution 200-600 DPI
- Ink supply 1 Litre ink bottles easy to change
- Ink types UV-Curable and Solvent based
- Print head type 12 x Spectra S-Class module
- Ink drop size 30pL
- Maximum print frequency 30 kHz
- Print width per head 65mm (2.56")
- Print length Possible without a gap
- Stitching Up to 6 heads, 390 mm (15.3")

- Linear speed at horizontal resolution

DPI	m/S	m/min	fpm
200	3.8	229	750
400	1.9	114	375
600	1.3	76	250



Distribution:



Graph-Tech AG
Aeschwahrstr. 15
4665 Oftringen
Switzerland

Phone +41 62 746 0650
Fax +41 62 746 0655
Website www.graph-tech.ch