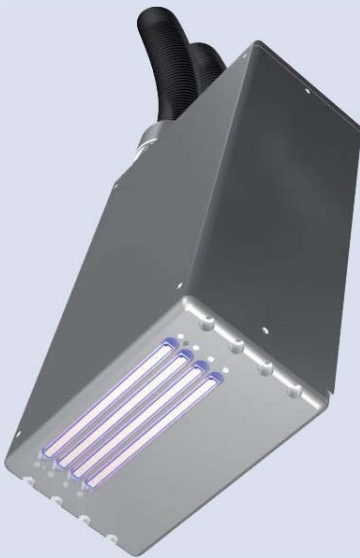




The spot color printer

The GT-Jet VR 100 D is based on the S-Class DOD-technology from Spectra. It offers a very compact concept to print 2 spot colors. It is based on the most successful DOD inkjet in the market, the GT-Jet series. The capacity in terms of number of jets has been doubled per base unit. A new, improved head design has been adapted. A unique system to change the head has been implemented into this design. It's ready to print in 5 minutes and can be

operated with UV-curable and solvent-based inks. The GT-Jet VR 100 D can be used to print on a variety of different materials i.e. paper, coated paper, foils, plastic cards etc. where ink spread is high. The user interface is easy to handle, offers a good overview and with its Windows technology it is truly intuitive. The layout is fully WYSIWYG and offers an easy setup for a wide variety of applications.



High Quality

- Up to 100x400 DPI resolution. 100 DPI against running direction, 100-400 DPI in running direction
- 2 spot color applications onto porous media where a good quality is required
- Modular concept with electronic stitching to increase the print width in steps of 2.56 inches, i.e. 2 head 5.12 Inches, 3 heads 7.68 Inches etc.
- Supports different inks to suit your application

Easy to handle

- Start up in less than 5 minutes
- Change a head in a matter of 10 minutes with a new system where only the jetting part of the head can be changed
- Intuitive WYSIWYG layout
- Easy set up through the full graphic user interface of the whole inkjet system
- Variable and fixed text as well as all common barcodes can be setup in an easy way
- Fixed and variable bitmaps in nearly any format can be processed
- Alternative full digital information in PDF formats can be processed

Applications

- 2 spot color printing onto cardboards where short runs are required
- Full digital spot color printing for logos and other variable spot color data in mailing
- Any application where variable spot color data needs to be applied onto nearly any media in a good quality. Due to low resolution ink spread needs to be high.

Technical Details

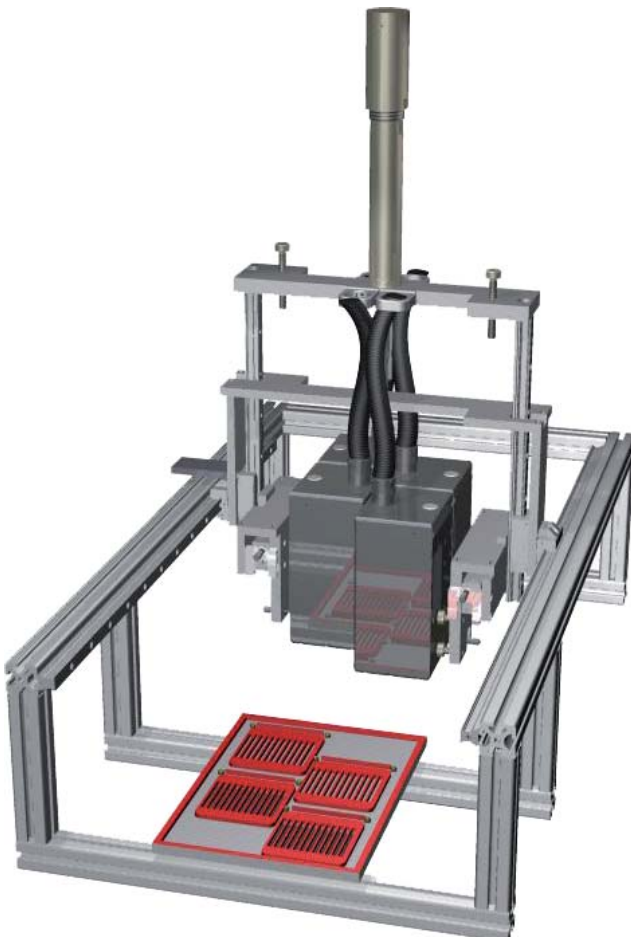
Characteristics

- Compact, modular base unit with 1 print head, 2.56" printing width at a resolution of 100x100-400 DPI, multiple units can be stitched together to increase the printing width in steps of 2.56"
- The print heads have a new, unique system and only the jetting module can be changed in less than 10 minutes
- Spectra technology, based on S-Class print modules

Technical data

- Dimensions ink supply (HxWxD) 180x175x260 mm
 - Dimensions bottle holder (HxWxD) 230x125x120 mm
 - Dimensions base unit (HxWxD) 180x345x490 mm
 - Length print head umbilical 5 m
 - Dimensions print head (HxWxD) 245x125x75 mm
 - Vertical resolution 100 DPI
 - Horizontal resolution 100-400 DPI
 - Ink supply 2x1 Litre ink bottles
 - Ink types UV-Curable and Solvent based
 - Print head type 4 x Spectra S-Class module
 - Ink drop size 80pL
 - Maximum print frequency 20 kHz
 - Print width per head 65 mm (2.56")
 - Print length Possible without a gap
 - Stitching in horizontal direction Up to 6 heads, 390 mm (15.3")
- Linear speed at horizontal resolution

| DPI | m/S | m/min | fpm |
|-----|-----|-------|------|
| 100 | 5.1 | 305 | 1000 |
| 200 | 2.5 | 152 | 500 |
| 400 | 1.3 | 76 | 250 |



Distribution:



Graph-Tech AG
Aeschwahrstr. 15
4665 Oftringen
Switzerland

Phone +41 62 746 0650
Fax +41 62 746 0655
Website www.graph-tech.ch