



The modular wide format printer

The GT-Jet 64 is based on the S-Class DOD-technology from Spectra. The GT-Jet 64 offers a very compact and modular concept for high resolution wide format printing. It's ready to print in 5 minutes and can be operated with UV-curable and solvent-based inks. The GT-Jet 64 can be used to print on a variety of different

materials i.e. paper, coated paper, foils, plastic cards etc. The user interface is easy to handle, offers a good overview and with its Windows technology it is truly intuitive. The layout is fully WYSIWYG, including electronic stitching capability on multiple head applications for large graphics and complex imaging.



High Quality

- 316x316 DPI resolution in X and Y direction at a printing width of 2.4 Inch
- Modular concept with electronic stitching to increase the print width in steps of 2.4 inches, i.e. 2 head 4.8 Inches, 3 heads 7.2 Inches etc.
- Supports different inks to suit your application
- Spot colors are available and are easily switchable

Easy to handle

- Start up in less than 5 minutes
- Change a head in a matter of 10 minutes or less with unique snap-in heads
- Intuitive WYSIWYG layout
- Easy set up through the full graphic user interface of the whole inkjet system
- Variable, fixed text and all common barcodes can be setup in an easy way
- Fixed and variable bitmaps in nearly any format can be processed
- Alternative full digital information in PDF formats can be processed

Low costs

- Low investment costs due to very high integration of state of the art technology
- Spare heads are a cost effective way of ensuring ongoing print quality.
- Refurbish program for spare heads is available

Applications

- Wide format full digital printing for web applications
- Digital printing onto labels
- Card personalization
- Any application where variable data needs to be applied onto nearly any media in a very good quality

Technical Details

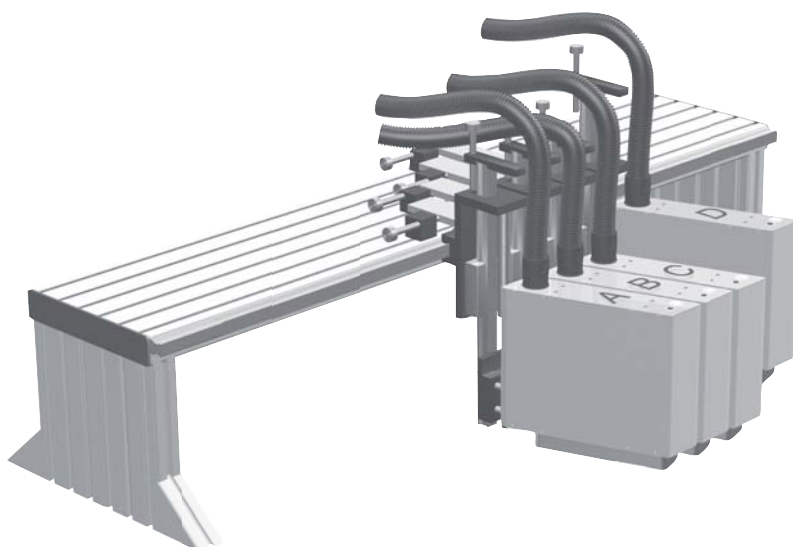
Characteristics

- Compact, modular base unit with 1 print head, 2.4 Inch printing width at a resolution of 316x105-420 DPI. Multiple units can be stitched together to increase the printing width in steps of 2.4 inches
- The print heads can be plugged in, and can be changed in 10 minutes
- New optimized interlacing pattern
- Spectra technology, based on S-Class print modules

Technical data

- Dimensions ink supply (HxWxD) 95x125x130 mm
- Dimensions bottle holder (HxWxD) 230x125x120 mm
- Dimensions base unit (HxWxD) 180x345x440 mm
- Length print head umbilical 5 m
- Dimensions print head (HxWxD) 225x56x227 mm
- Vertical resolution Rombus with 71.6 deg angle
105, 208, 316 and 420 DPI
- Horizontal resolution 316 DPI
- Ink supply 1 Litre ink bottles easy to change
- Ink types UV-Curable and Solvent based
- Print head type 6 x Spectra S-Class module
- Ink drop size 30pL or 80pL
- Maximum print frequency 20-30 kHz
- Print width per head 61mm (2.4")
- Print length Possible without a gap
- Stitching Up to 6 heads, 366 mm (14.4")
- Linear speed at horizontal resolution

DPI	80 pL			30 pL		
	m/S	m/min	fpm	m/S	m/min	fpm
105	4.8	290	952	7.3	435	1429
208	2.4	147	481	3.7	220	721
316	1.6	96	316	2.4	145	475
420	1.2	73	238	1.8	109	357



Distribution:



Graph-Tech AG
Aeschwahrstr. 15
4665 Oftringen
Switzerland

Phone +41 62 746 0650
Fax +41 62 746 0655
Website www.graph-tech.ch